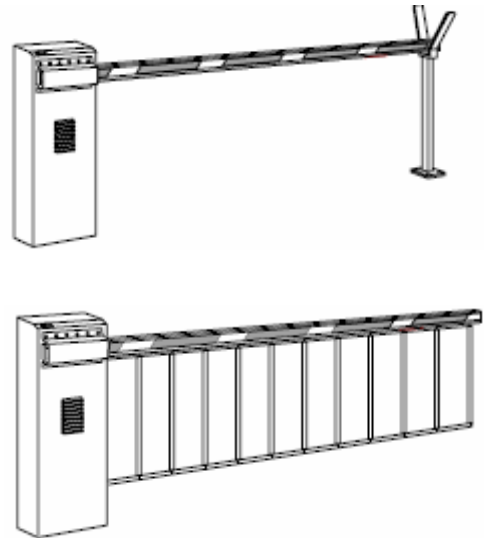




# Automatic Barrier



## Outline Specification: EDSUKBAR9

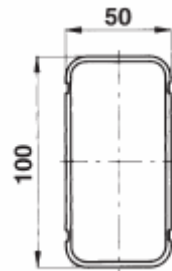
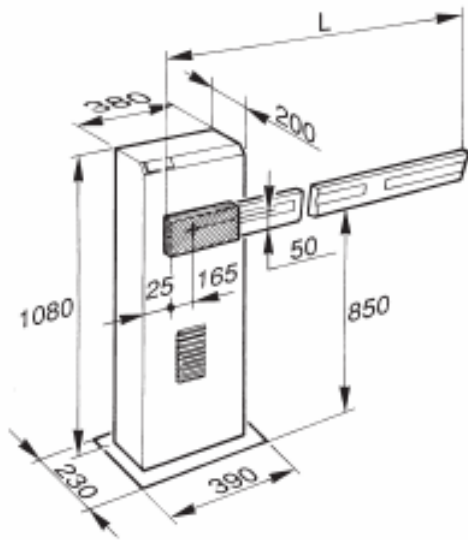
Height	1080mm.	Width	380mm
Construction & Finish	Steel construction, powder coated RAL 2004 as standard with Stainless Steel option.		
Safety	Supplied with failsafe built-in protection. Additional safety such as photocells, interactive IR detectors, ground loops can be provided etc.		
Drive Unit	Electro-Hydraulic, c/w manual override. Duty cycle continuous 100%		
Controls	Microprocessor controlled drive unit which can interface to any standard control system: Switch Operation, Intercom, Token, Barcode, RFID Radio Frequency, Radio Keyfob Transmitter, Proximity Card, Proximity Tag, Magstripe Card Reader, Digital Keypad, Biometric Fingerprint or Hand Geometry Readers, Building Management Systems, etc.		
Power	Single Phase 230vac Supply 50 - 60 Hz, 220 watts.		

The EDSUKBAR9 range is designed and built for heavy traffic management and larger commercial applications. This system can be customised to enhance site suitability with a range of options including a pivoting foot, automatic release solenoid valve, and forked support and skirt. It is recommended that a beam fork support or end support is installed for beams of 5m and above. The EDSUKBAR9 has a neat slimline appearance yet is robust and hardwearing for commercial applications. The range also provides the reassurance of anti-crush hydraulics, a secure locking system for both open and closed positions and manual release with customised key.

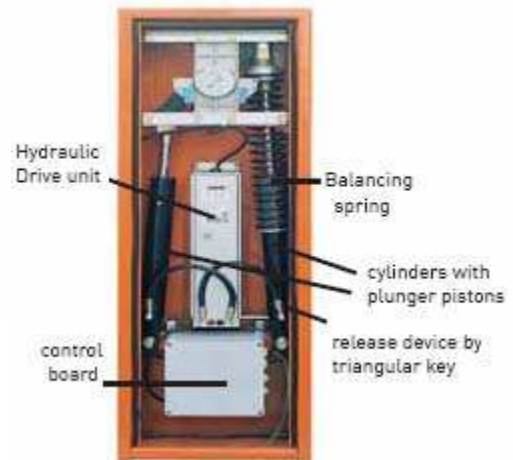
Microprocessor control and Surface Mount technology are the standard, the EDSUKBAR9 is a fully programmable control board. There are 3 programming buttons with a 2-digit display on the control board, which allow the setting of parameters to achieve the required logics for operation. A master/slave configuration is programmed through the controls rather than adding any additional device.

The EDSUKBAR9 is the latest generation of barrier systems from EDSUK and is also available in stainless steel.

**Images, Technical Specification & Notes:**



Boom Arm



<b>Power supply:</b>	230v $\pm$ 6%/-10% 50-60 Hz
<b>Electric Motor:</b>	Single phase, bi-directional
<b>Absorbed power:</b>	220W
<b>Current drawn:</b>	1A
<b>Motor winding thermal cutout:</b>	120°C
<b>Anti Crush System:</b>	Hydraulic valves (by-pass)
<b>Duty Cycle:</b>	100%
<b>Mechanical Deceleration:</b>	Adjustable
<b>Operating Temperature Range:</b>	-20°C + 70°C
<b>Weight:</b>	84Kg
<b>Oil type:</b>	HP Oil
<b>Barrier Opening Times:</b>	4 - 8 secs
<b>Beam Length:</b>	4 - 7m
<b>Casing anti corrosion treatment:</b>	cataphoresis
<b>Finish:</b>	polyester paint, RAL 2004
<b>Housing protection:</b>	IP55
<b>Cooling:</b>	forced ventilation with fan
<b>Optional accessories:</b>	<ul style="list-style-type: none"> <li>- skirt kit,</li> <li>- fork support</li> <li>- automatic release solenoid valve</li> <li>- anti vandal valve</li> <li>- top and bottom skirt up to 5m</li> </ul>



# Optional Features

## Switch & Timer Operation

Push button, Desktop Switch, Keyswitch, & 24hr timer for automatic mode operation.



## ANPR – Automatic Numberplate Recognition & AVR Automatic Vehicle Recognition

Allows automatic operation by checking the registration plate against a known safe list, or a unique tag mounted in/on the vehicle, if verified then access is granted.

## Intercom Control

Audio, Video & Audio, GSM Intercom operated over a mobile phone SIM card, Emergency Phone.



## Safety/ Opening Loop

Underground loops can be installed for vehicle presence detection, safety, opening/rise, close/lower, switching, alarms, counting of vehicles entering and leaving the site.

## Access Control Integration

Keypads, Magnetic Swipe Card, Barcodes, Proximity Card, Photo ID, RFID & Radio Remote Control Technology, Biometric Controls, can all operate the system.



## UPS – Battery Backup Facility

Battery back-up facility to operate the system in the event of a power fail and provides a level of mains power filtering.



## Traffic Light Control

LED traffic lights and information signs, full & spaces, stop & go and bespoke directional signs etc.



## Photocell Safety/ Opening Sensors

Photocell detectors providing opening/rise, close/lower, Switching & alarms etc.



## Token Operation

Simple token operation with slotted token, can be customised with your organisations logo or name.

