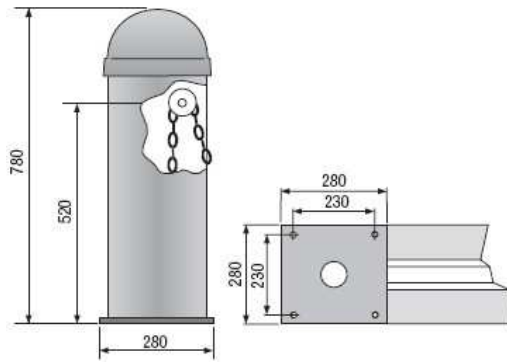




Automatic Chain Barrier Bollard



Outline Specification:

Pedestal Height	780mm.
Chain Height	520mm.
Construction	Tubular Steel Bollard.
Finish	Powdercoated.
Safety	Supplied with failsafe protection around the installed bollards. Additional safety such as photocells, interactive IR detectors or magnetic loops can be provided.
Drive Unit	Mechanical Chain.
Operating Speeds	Rising & Lowering Speeds 9-14 Seconds.
Controls	Microprocessor controlled drive unit which can interface to any standard control system, i.e. card reader, keypad, radio remote control fob, switch etc.
Power	Single Phase 230vac (UK) Supply both 50/60 Hz
Operating temperature	-20 to +70 degrees Centigrade

A unique product that has great use in the delimitation of private and public parking, with one or more car parking spaces. A highly technological product with a design that complies with the most demanding architectural contexts. Available with mains 230vac or low voltage motor.

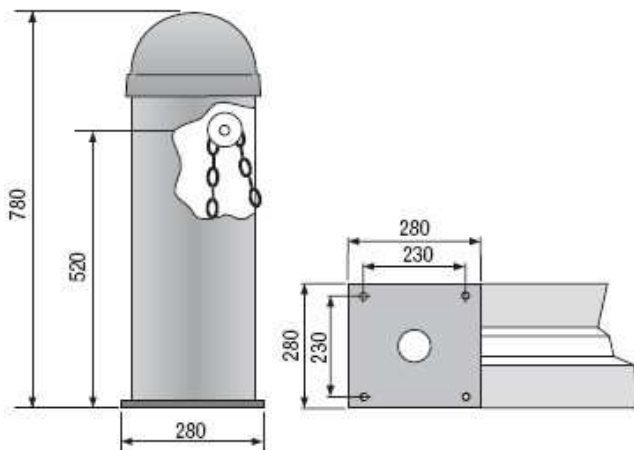
Facility to create automatic chains barrier bollard opening up to a maximum of 16 m wide with only two pillars and a single chain. The installation flexibility allows for creating automatic chains up to 16m with only two pillars and a single chain. Automatic closure comes on after the preset time fully adjustable by a trimmer, whilst the operation speed is a swift 9-11 seconds.

This system includes a Master Bollard and control panel, Slave Bollard with counterweights, 9mm chain suitable for an 8m opening, complete radio gear and photoelectric beams for your safety. A floor channel between the bollards is installed to protect the chain.

Technical Specification & Notes:

Technical information

Type		
Protection level	IP54	
Power supply	230V 50/60 Hz	230V 50/60 Hz
Motor power supply	230V 50/60 Hz	24V D.C.
Max. torque	300W	240W
Absorbed input	2.7	20A max
Lift capacity	50 Kg	
Operation intermittence	30%	intensive service
Manoeuvre speed	11 secs	9 /14 secs
Operating temperature	-20°C min. +70°C max.	
Colour	RAL 7035	





Automatic Chain Barrier Bollard

Optional Features

Switch & Timer Operation

Push button, Desktop Switch, Keyswitch, & 24hr timer for automatic mode operation.



ANPR – Automatic Numberplate Recognition & AVR Automatic Vehicle Recognition

Allows automatic operation by checking the registration plate against a known safe list, or a unique tag mounted in/on the vehicle, if verified then access is granted.

Intercom Control

Audio, Video & Audio, GSM Intercom operated over a mobile phone SIM card.



Safety/ Opening Loop

Underground loops can be installed for vehicle presence detection, safety, opening/rise, close/lower, switching, alarms, counting of vehicles entering and leaving the site.

Access Control Integration

Keypads, Magnetic Swipe Card, Barcodes, Proximity Card, Photo ID, RFID & Radio Remote Control Technology, Biometric Controls, can all operate the system.



UPS – Battery Backup Facility

Battery back-up facility to operate the system in the event of a power fail and provides a level of mains power filtering.



Traffic Light Control

LED traffic lights and information signs, full & spaces, stop & go and bespoke directional signs etc.



Photocell Safety/ Opening Sensors

Photocell detectors providing opening/rise, close/lower, Switching & alarms etc.



Token Operation

Simple token operation with slotted token, can be customised with your organisations logo or name.

